

# BOLLA 160 Q

Whirlp. Airpool  
Whirlp. Digitale

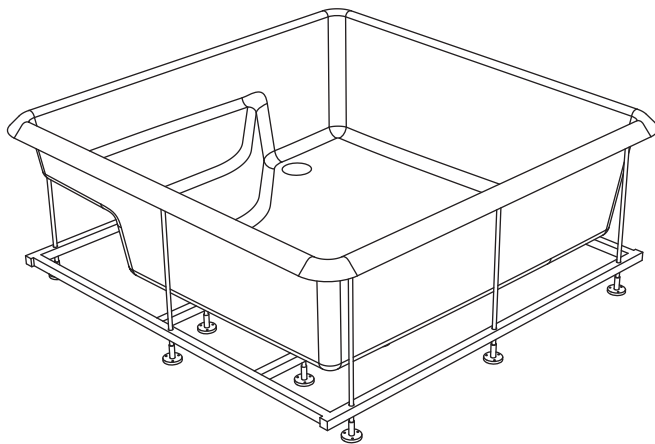
# technical data sheet



The bath must be installed by a qualified electrician and plumber.

Before connecting the bath, the installer must see that the electrical system is protected by a circuit breaker (0.03) and that the earthing system complies with the laws in force in the country of installation.

The whirlpool bath must be connected to the electrical system permanently (with an H05 cable - 3x2.5 mm<sup>2</sup> three-pole with a 2.5 mm<sup>2</sup> cross section) by means of a double-pole switch (minimum 3 mm opening between contacts) and suitably rated (KW) for the appliance to be connected, located away from areas 0,1,2,3 and from areas where jets of water are possible.



SYSTEMS	Electrical specification				Jet		Water cont		Siz		Packing		dimension			Weight	
	Volt	A	kW	Hz	Whirl	Air	use	max	length	width	width	length	width	height	net	gros	
Whirlpool	230	3.8/10.5*	0.83/2,33*	50	12	----	450	550	152.5	152.5	63	166	166	78	75	101	
Whirlpool - Airpool	230	6.8/10.5*	1.53/2,33*	50	12	24	450	550	152.5	152.5	63	166	166	78	85	111	

\*Optional heater (1,5 kw).

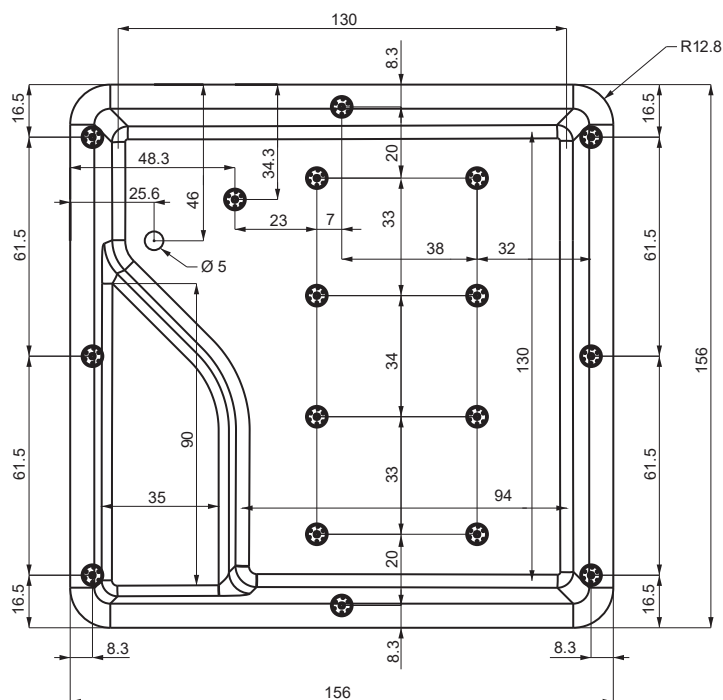
The bath must also be connected to the building's equipotential earthing system by means of a terminal on the frame. If the bath is to be recessed in walls, the guarantee will only be valid if the walls are fitted with inspection and aeration grids of a suitable size. It is also important that the bath can be taken out at any time without having to do anything to the walls.

**WARNING:** if all or even part of the above described conditions are not complied with the safety of the whirlpool bath cannot be guaranteed and, as such, not only is the guarantee invalidated but also the manufacturer can in no way be held liable for any direct or indirect damages caused by the bath.

In those cases where such conditions are not complied with, the guarantee will only cover the substitution of parts deemed defective and not the labour needed if the bath has to be removed.

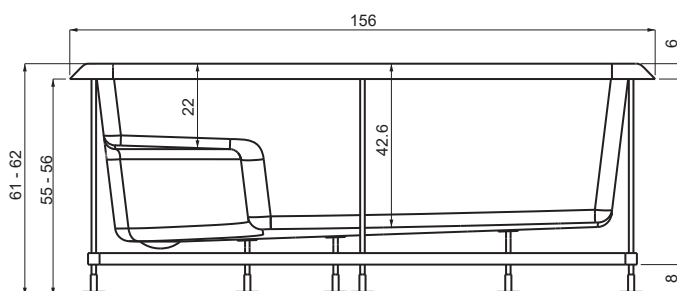
Provide shut-off cocks out of the dimensions of the product for hot and cold water closing.

VIEW FROM ABOVE

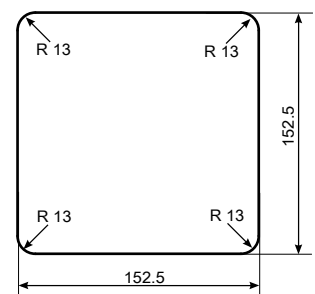


The overall dimensions are given in centimetres. Actual dimensions can vary by ± 1 cm.

SIDE VIEW





HOLE FLUSH TANK

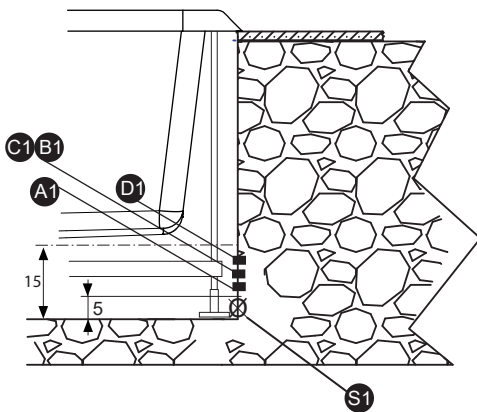


### LEGENDA

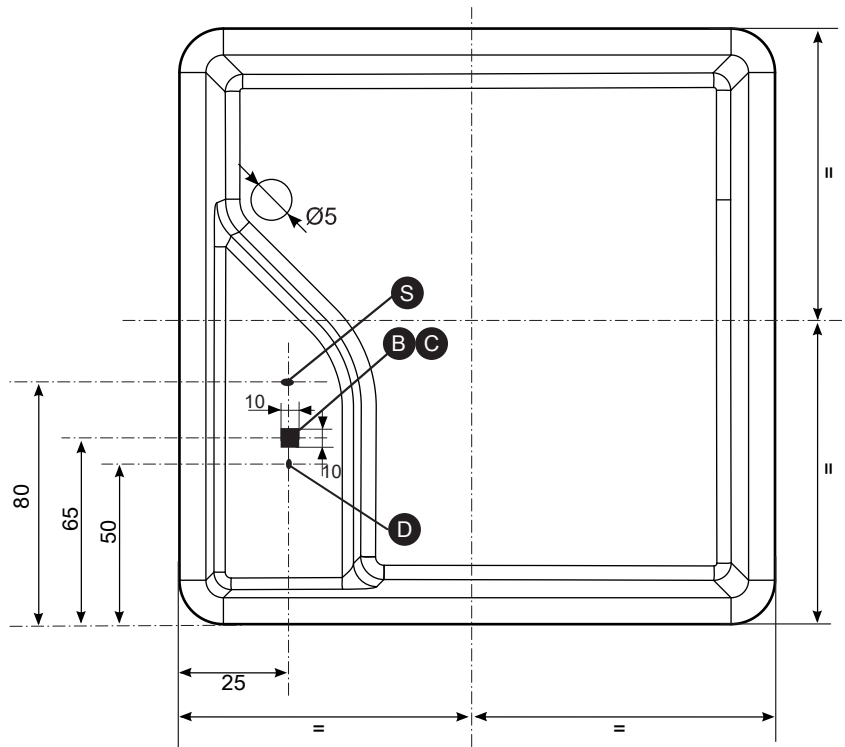
- S - S1 - Flush to floor drain  $\varnothing 5$ , or wall drain  $\varnothing 5$ .
- B - B1 - Power outlet  
H05 3x2,5mm (minimum length 2 [m]).
- C - C1 - Equalization cable.
- D - D1 - Mixed water outlet  
(only for taps with E.T.P.)

	Operating pressure:
	- MIN 150 kPa (1,5 bar)
	- MAX 300 kPa (3,0 bar)
	Hot water temperature:
	- MAX 60°C (140°F)

### ARRANGEMENT FOR RECESSED BASIN WITH WALL MOUNTING



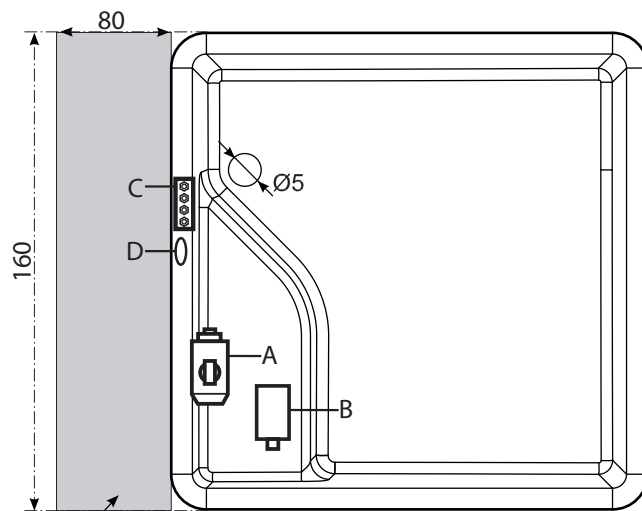
### ARRANGEMENT FOR BATH BUILT WITH CONNECTIONS TO THE FLOOR



- N.B.**  
If tub is built-in, please provide a secondary drain for any eventual water leaks.
- Position of the outlets in the wall of the pit, haven't to be over the frame height up to 15cm.
- If the water pressure is higher than indicated, install pressure reducers.

- NOTES**  
Do not prepare the power cable for baths with frame.
- Prepara rethe equipotential cable in all cases

### POSITIONING THE TURNING ON CONTROLS BOLLA 160 Q WHIRLPOOL & WHIRL. AIRPOOL



- Z = Service area.
- A = Pump
- B = Blower
- C = Electronic unit.
- D = Keyboard.

Position can be different A - B - C - D according with accessories presence (chromotherapy).

Z - Area that should be left for inspection.